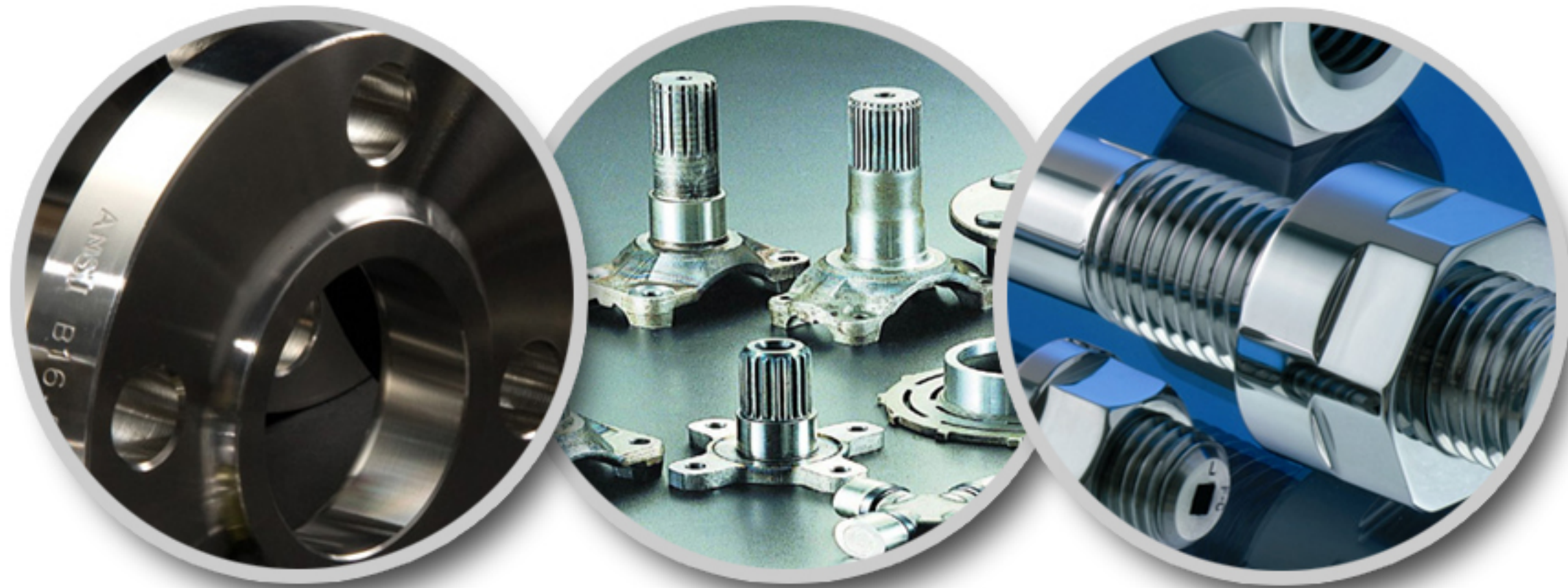




IATF 16949:2016  
AN ISO 9001:2015  
AN ISO 14001:2015



## Product Catalogue

---

VPO Jugiana, G.T. Road, Ludhiana - 141017 (India), Mitul Gupta : +91 9888407333

Hanish Gupta : +91 9888000033

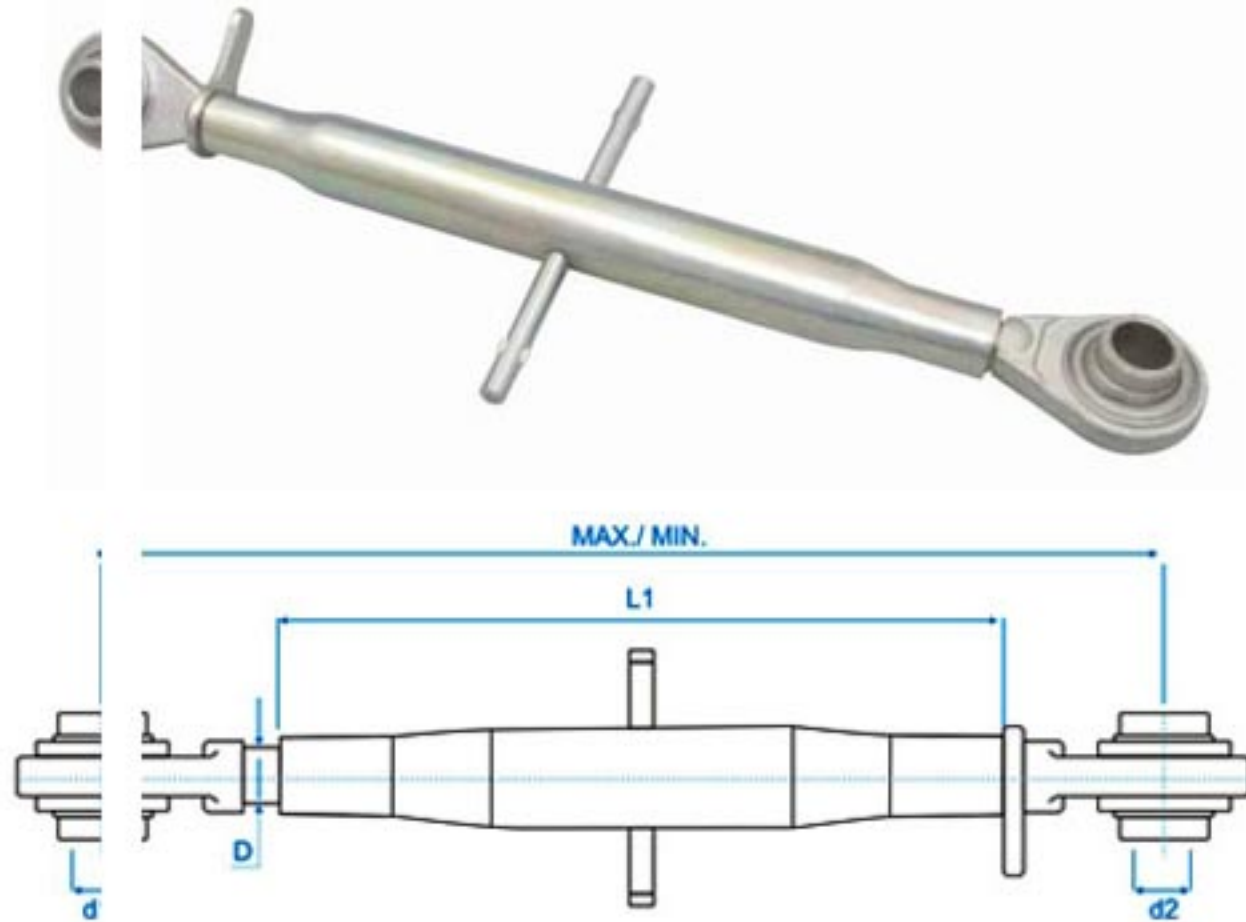
**Other Office Locations :** 22 Fanny Street, Cathays, Cardiff CF24 4EH (UK)

Phone : +91-161-2510102, Fax : +91-161-2511062

Email : [info@skywayforge.com](mailto:info@skywayforge.com) Website : [www.skyforge.com](http://www.skyforge.com)

# Products

## Top Link Assembly

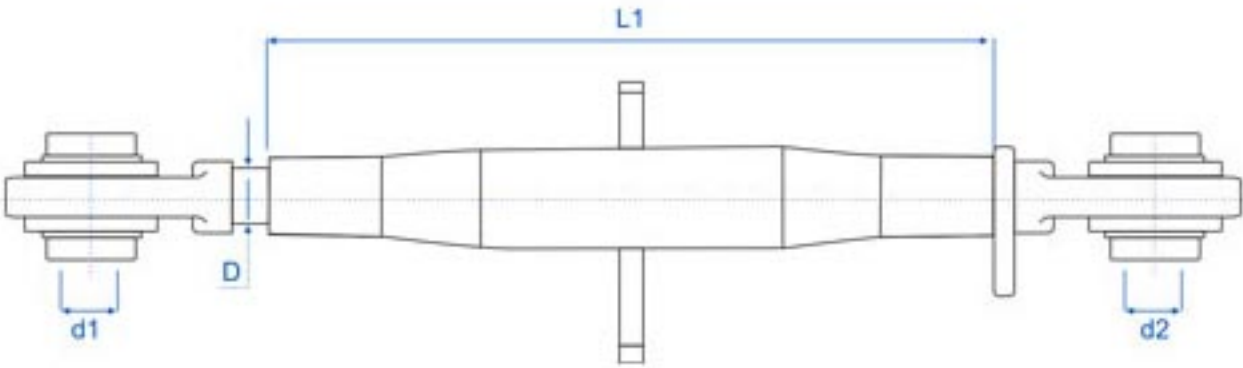


CODE	CAT D	D2	PIPE L1	THREAD D	MIN.	MAX.
SF001	0 - 0		7.1/2"	3 / 4 UNC	11"	16.3/8"
SF002	0 - 0		9.3/4"	3 / 4 UNC	13.3/8"	18.5/8"
SF003	1 - 1		7"	1.1/8 UNC	11.5/8"	14.3/4"
SF004	1 - 2		7"	1.1/8 UNC	11.3/4"	15"
SF005	2 - 2		7"	1.1/8 UNC	12"	15.1/8"
SF006	1 - 1		9"	1.1/8 UNC	13.5/8"	18.3/4"
SF007	1 - 2		9"	1.1/8 UNC	13.3/4"	19"
SF008	2 - 2		9"	1.1/8 UNC	14"	19.1/4"

# Products

SF009	1 - 1	11.1/4"	1.1/8 UNC	16"	24"
SF010	1 - 2	11.1/4"	1.1/8 UNC	16.3/8"	24.1/4"
SF011	2 - 2	11.1/4"	1.1/8 UNC	16.1/2"	24.3/8"
SF012	1 - 1	13"	1.1/8 UNC	17.1/2"	26.3/4"
SF013	1 - 2	13"	1.1/8 UNC	17.3/4"	27"
SF014	2 - 2	13"	1.1/8 UNC	18.1/8"	27.1/8"
SF015	1 - 1	14.1/2"	1.1/8 UNC	19"	27"
SF016	1 - 2	14.1/2"	1.1/8 UNC	19.1/2"	27.1/8"
SF017	2 - 2	14.1/2"	1.1/8 UNC	20"	31.1/2"
SF018	1 - 1	16"	1.1/8 UNC	20.1/2"	28"
SF019	1 - 2	16"	1.1/8 UNC	20.3/4"	28.3/8"
SF020	2 - 2	16"	1.1/8 UNC	21"	32.1/2"
SF021	1 - 1	17.1/4"	1.1/8 UNC	21.5/8"	29.3/8"
SF022	1 - 2	17.1/4"	1.1/8 UNC	22"	29.1/2"
SF023	2 - 2	17.1/4"	1.1/8 UNC	22.1/4"	33.7/8"
SF024	1 - 1	20"	1.1/8 UNC	24.3/8"	32"
SF025	1 - 2	20"	1.1/8 UNC	24.3/4"	32.1/4"
SF026	2 - 2	20"	1.1/8 UNC	25"	36.3/8"
SF027	1 - 1	24"	1.1/8 UNC	28.1/2"	36"
SF028	1 - 2	24"	1.1/8 UNC	28.3/4"	36.1/4"
SF029	2 - 2	24"	1.1/8 UNC	28.7/8"	40.1/2"
SF030	2 - 2	15"	1.1/4 UNC	20"	30.7/8"
SF031	2 - 2	19"	1.1/4 UNC	24"	35.1/4"

## Top Link Assembly



TOP LINK ASSEMBLY (METRIC)			
CODE	CAT d1 - d2	PIPE L1(MM)	THREAD D
THREAD M 20X 2.5			
SF031	0-0 (16)	190	M20X2.5
SF032	0-0 (16)	250	M20X2.5

# Products

SF033	0-0 (16)	400	M20X2.5
<b>THREAD M 22 X 2.5</b>			
SF034	1-1	120	M22X2.5
SF035	1-1	160	M22X2.5
SF036	1-1	180	M22X2.5
SF037	1-1	220	M22X2.5
SF038	1-1	230	M22X2.5
SF039	1-1	300	M22X2.5
SF040	1-1	320	M22X2.5
<b>THREAD M 24 X 2.5</b>			
SF041	1-1	120	M24X2.5
SF042	1-1	140	M24X2.5
SF043	1-1	150	M24X2.5
SF044	1-1	165	M24X2.5
SF045	1-1	180	M24X2.5
SF046	1-1	200	M24X2.5
SF047	1-1	245	M24X2.5
SF048	1-1	280	M24X2.5
SF049	1-1	300	M24X2.5
SF050	1-1	320	M24X2.5
SF051	1-1	370	M24X2.5
SF052	1-1	400	M24X2.5

# Products

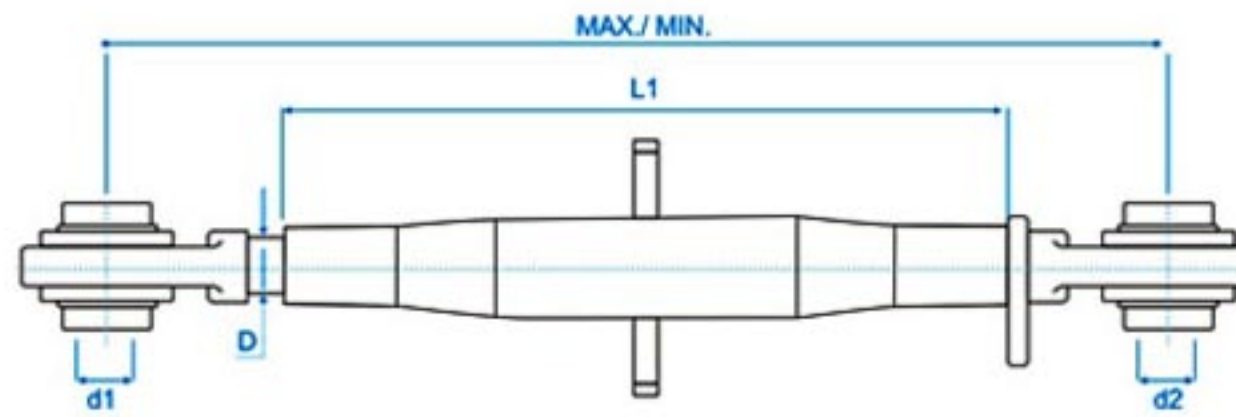
## THREAD M 24 X 3

SF053	1-1	120	M24X3
SF054	1-1	140	M24X3
SF055	1-1	150	M24X3
SF056	1-1	165	M24X3
SF057	1-1	180	M24X3
SF058	1-1	200	M24X3
SF059	1-1	230	M24X3
SF060	1-1	250	M24X3
SF061	1-1	270	M24X3
SF062	1-1	300	M24X3
SF063	1-1	330	M24X3
SF064	1-1	370	M24X3
SF065	1-1	400	M24X3

## THREAD 27 X 3

SF066	1-1	180	M27X3
SF067	2-2	180	M27X3
SF068	1-1	220	M27X3
SF069	2-2	220	M27X3
SF070	1-1	275	M27X3
SF071	2-2	275	M27X3
SF072	1-1	320	M27X3
SF073	1-2	320	M27X3
SF074	2-2	320	M27X3
SF075	1-1	350	M27X3
SF076	1-2	350	M27X3
SF077	2-2	350	M27X3
SF078	1-1	380	M27X3
SF079	1-2	380	M27X3
SF080	2-2	380	M27X3

## Top Link Assembly



### TOP LINK ASSEMBLY (METRIC)

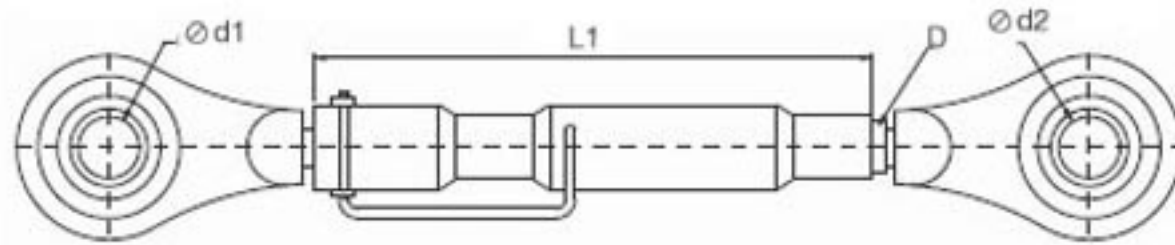
SF084	1-1	430	M27X3
SF085	1-2	430	M27X3
SF086	2-2	430	M27X3
SF087	1-1	450	M27X3
SF088	1-2	450	M27X3
SF089	2-2	450	M27X3
SF090	1-1	470	M27X3
SF091	1-2	470	M27X3
SF092	2-2	470	M27X3
SF093	1-1	500	M27X3

# Products

SF094	1-2	500	M27X3
SF095	2-2	500	M27X3
SF096	1-1	550	M27X3
SF097	1-2	550	M27X3
SF098	1-2	550	M27X3
SF099	2-2	550	M27X3
SF100	2-2	570	M27X3
SF101	1-1	600	M27X3
SF102	1-2	600	M27X3
SF103	2-2	600	M27X3
SF104	1-1	650	M27X3
SF105	1-2	650	M27X3
SF106	2-2	650	M27X3
SF107	1-1	700	M27X3
SF108	1-2	700	M27X3
SF109	2-2	700	M27X3
SF110	1-2	320	M27X3
SF111	1-2	400	M27X3
SF112	1-2	450	M27X3
SF113	1-2	500	M27X3
SF114	2-2	320	M27X3
SF115	2-2	400	M27X3
SF116	2-2	450	M27X3
SF117	2-2	500	M27X3

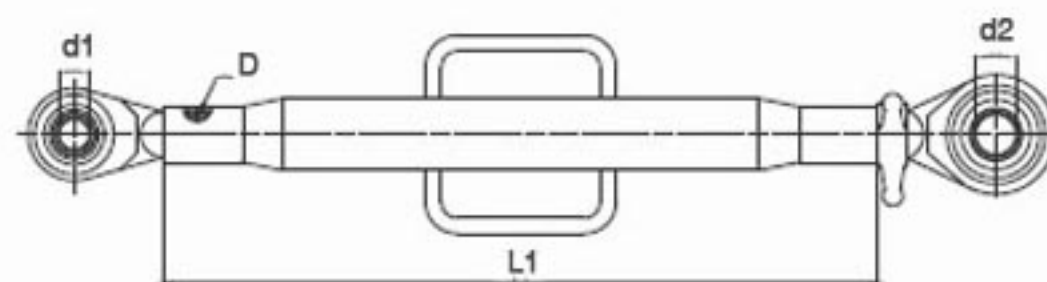


# Products



Top Link Assemblies					
THREAD M 30 X 3 (HEAVY DUTY PIPE)					
CODE	CAT D1 -D2	PIPE L1	THREAD D	MIN.	MAX.
SF118	2 - 2	330	M30 X 3	460	700
SF119	2 - 2	370	M30 X 3	500	740
SF120	2 - 2	400	M30 X 3	530	770
SF121	2 - 2	450	M30 X 3	580	820
SF122	2 - 2	500	M30 X 3	630	870
SF123	2 - 2	600	M30 X 3	730	970

# Products

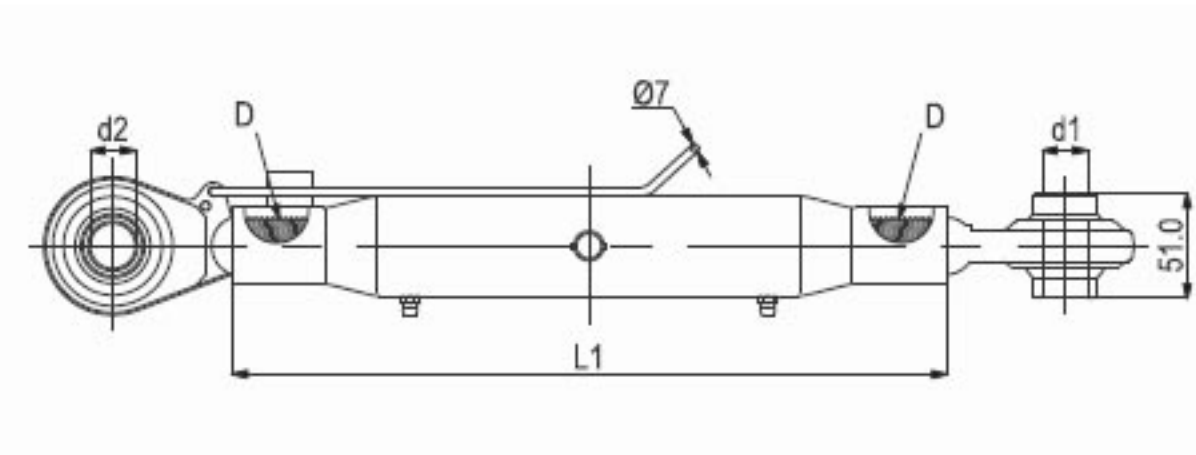


## Top Link Assemblies

THREAD M 30 X 3

CODE	CAT D1 -D2	PIPE L1	THREAD D	MIN.	MAX.
SF124	1 - 1	370	M30 X 3	500	720
SF125	1 - 2	370	M30 X 3	500	730
SF126	2 - 2	370	M30 X 3	500	740
SF127	1 - 1	400	M30 X 3	530	750
SF128	1 - 2	400	M30 X 3	530	760
SF129	2 - 2	400	M30 X 3	530	770
SF130	1 - 1	450	M30 X 3	580	800
SF131	1 - 2	450	M30 X 3	580	810
SF132	2 - 2	450	M30 X 3	580	820
SF133	2 - 2	460	M30 X 3	590	830
SF134	1 - 1	500	M30 X 3	630	850
SF135	1 - 2	500	M30 X 3	630	860
SF136	2 - 2	500	M30 X 3	630	880

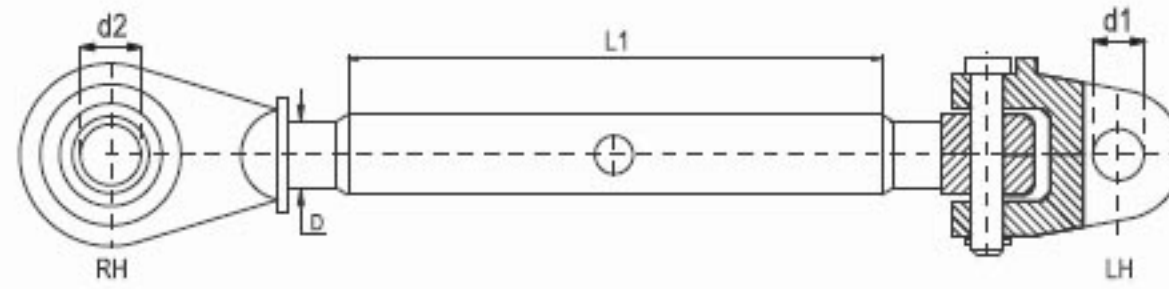
# Products



## Top Link Assembly (Heavy duty)

CODE	CAT d1-d2	PIPE L1 (MM)	THREAD D
<b>THREAD M 30 X 3.5 (Positive Handle Lock) 80-Head</b>			
SF144	2-2	360	M30X3.5
SF145	2-2	400	M30X3.5
SF146	2-2	460	M30X3.5
SF147	2-2	520	M30X3.5
SF148	2-2	580	M30X3.5
SF149	2-2	640	M30X3.5
SF150	2-2	700	M30X3.5
SF151	2-2	800	M30X3.5
SF152	2-2	230	M30X3.5
SF153	2-2	270	M30X3.5
SF154	2-2	370	M30X3.5
SF155	2-2	560	M30X3.5

# Products



## Top Link Assembly (Heavy duty)

( M 36x3 )

CODE	CAT d1-d2	PIPE L1 (MM)	THREAD D
SF156	2-2	400	M36 X 3
SF157	2-3	400	M36 X 3
SF158	2-2	460	M36 X 3
SF159	2-3	460	M36 X 3
SF160	2-2	480	M36 X 3
SF161	2-3	480	M36 X 3
SF162	2-2	440	M36 X 3
SF163	28.4-2	440	M36 X 3
SF164	3-3	440	M36 X 3
SF165	2-2	520	M36 X 3
SF166	2-3	520	M36 X 3
SF167	3-3	520	M36 X 3
SF168	2-2	580	M36 X 3
SF169	2-3	580	M36 X 3
SF170	3-3	580	M36 X 3
SF171	2-2	620	M36 X 3

## Top Link Assembly



Top Link Assembly			
CODE	CAT d1 - d2	PIPE L1 (MM)	THREAD D
THREAD M 36 X 3 (Heavy Model) 80-Head			
SF174	2-2	350	M36X3
SF175	2-2	380	M36X3
SF176	2-2	400	M36X3
SF177	2-2	460	M36X3
SF178	2-2	520	M36X3
SF175	2-2	570	M36X3
SF176	2-2	580	M36X3
SF177	2-2	600	M36X3
SF178	2-2	640	M36X3
SF179	2-2	700	M36X3
SF180	2-2	800	M36X3
SF181	2-2	900	M36X3
SF182	2-2	1000	M36X3

# Products

THREAD M 36 X 3 (Extra Heavy Model) 96-Head			
SF183	2-2	360	M36X3
SF184	2-2	400	M36X3
SF185	2-3	400	M36X3
SF186	3-3	400	M36X3
SF187	2-2	460	M36X3
SF188	2-3	460	M36X3
SF189	3-3	460	M36X3
SF190	2-2	520	M36X3
SF191	2-3	520	M36X3
SF192	3-3	520	M36X3
SF193	2-2	580	M36X3
SF194	2-3	580	M36X3
SF195	3-3	580	M36X3
SF196	2-2	620	M36X3
SF197	2-3	620	M36X3
SF198	3-3	620	M36X3
SF199	2-2	700	M36X3
SF200	2-3	700	M36X3
SF201	3-3	700	M36X3
SF202	2-2	800	M36X3
SF203	2-3	800	M36X3
SF204	3-3	800	M36X3
SF205	2-2	1000	M36X3
SF206	2-3	1000	M36X3
SF207	3-3	1000	M36X3

# Products

## THREAD M 40 X 3 (Heavy Model) 80-Head

SF208	2-2	400	M40X3
SF209	2-2	500	M40X3
SF210	2-2	520	M40X3
SF211	2-2	580	M40X3
SF212	2-2	620	M40X3

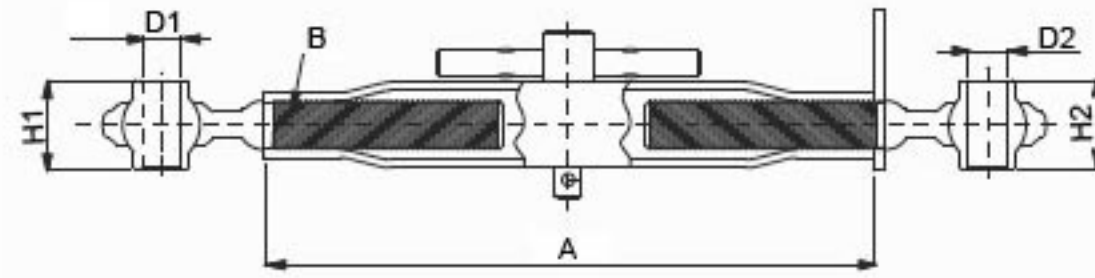
## THREAD M 40 X 3 (Extra Heavy Model) 96-Head

SF213	3-3	400	M40X3
SF214	3-3	500	M40X3
SF215	3-3	520	M40X3
SF216	3-3	580	M40X3
SF217	3-3	620	M40X3

## THREAD M 42 X 3 (Positive Handle Lock) 96-Head

SF218	2-2	360	M42X3
SF219	2-2	400	M42X3
SF220	2-2	460	M42X3
SF221	2-2	520	M42X3
SF222	2-2	580	M42X3
SF223	3-3	360	M42X3
SF224	3-3	400	M42X3
SF225	3-3	460	M42X3
SF226	3-3	520	M42X3
SF227	3-3	580	M42X3

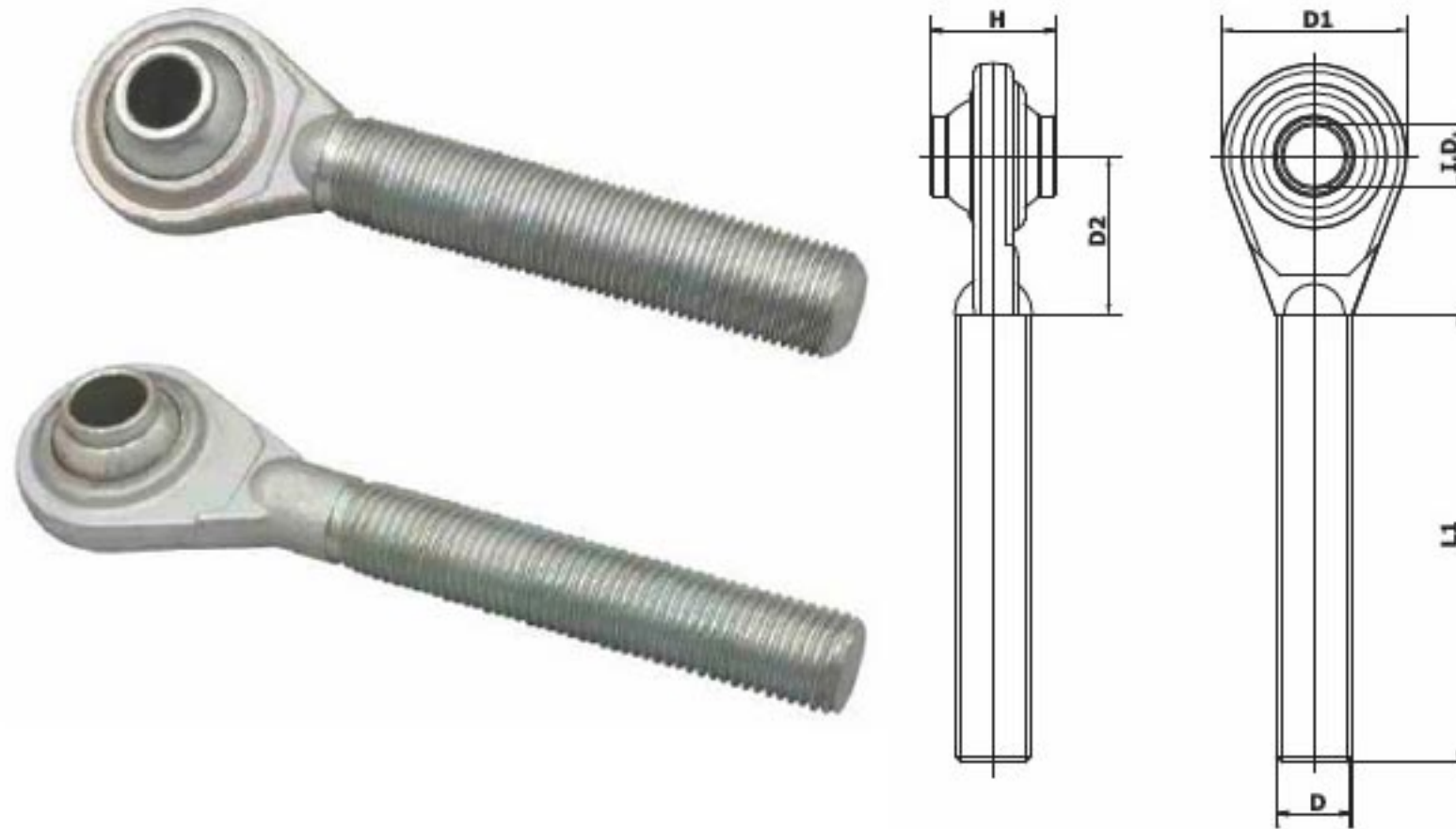
# Products



O.E.M TOP LINKS					
CODE	PIPE A(MM)	THREAD B	LH BALL ID/HT (D1/H1)	RH BALL ID/HT (D2/H2)	TYPE
SF228	350	M24X3	25.4/51	25.4/51	1
SF229	400	M24X2	25.4/51	25.4/44	1
SF230	430	M24X2	25.4/51	19.0/44	1
SF231	430	M24X2	25.4/44	25.4/44	2
SF232	470	M30X3.5	25.4/51	25.4/51	3
SF233	470	M36X3	25.4/51 (80)	25.4/51 (80)	3
SF234	470	M36X3	32/51 (96)	25.4/51 (80)	3

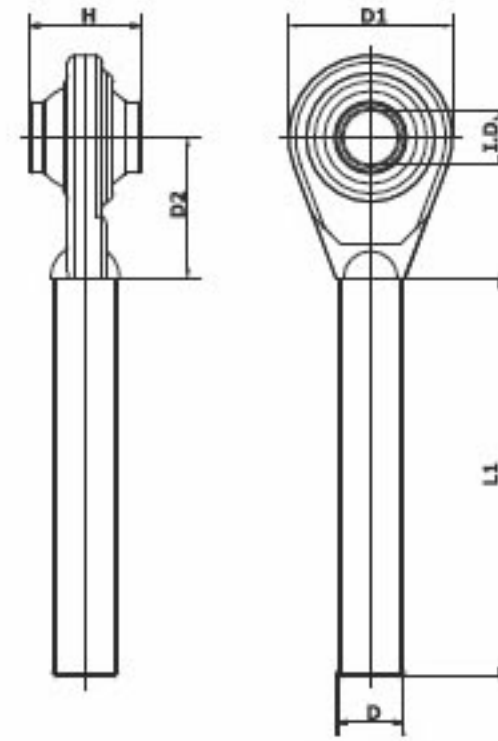


## Top Link End



TOP LINK END (UNC)							
CODE	CAT	I.D.	THREAD D	L1	D1	D2	H
SF-TLE001	0	16	3/4"UNC R	105	47	30	25.4
SF-TLE002	0	16	3/4"UNC L	105	47	30	25.4
SF-TLE003	1	19	1.1/8"UNC R	150	58	53	44
SF-TLE004	1	19	1.1/8"UNC L	150	58	53	44
SF-TLE005	2	25.4	1.1/8"UNC R	180	66	55	51
SF-TLE006	2	25.4	1.1/8"UNC L	180	66	55	51
SF-TLE007	2	25.4	1.1/4"UNC R	180	76	62	51
SF-TLE008	2	25.4	1.1/4"UNC L	180	76	62	51
SF-TLE009	3	32	1.3/8"UNC R	155	89	76	51
SF-TLE010	3	32	1.3/8"UNC L	155	89	76	51

# Products



TOP LINK END (METRIC)							
CODE	CAT	I.D.	THREAD D	L1	D1	D2	H
SF-TLE011	0	16	M20X2.5R	85	48	40	25.4
SF-TLE012	0	16	M20X2.5L	85	48	40	25.4
SF-TLE013	1	19	M22X2.5R	95	58	50	44
SF-TLE014	1	19	M22X2.5L	95	58	50	44
SF-TLE015	1	19	M22X2.5R	115	58	50	44
SF-TLE016	1	19	M22X2.5L	115	58	50	44
SF-TLE017	1	19	M24X2.5R	115	58	50	44
SF-TLE018	1	19	M24X2.5L	115	58	50	44
SF-TLE019	1	19	M24X3 R	115	58	50	44
SF-TLE020	1	19	M24X3 L	115	58	50	44
SF-TLE021	1	19	M24X3 R	155	62	50	44
SF-TLE022	1	19	M24X3 L	155	62	50	44
SF-TLE023	2	25.4	M24X3 R	165	75	55	51
SF-TLE024	2	25.4	M24X3 L	165	75	55	51
SF-TLE025	1	19	M27X3 R	150	58	50	44

# Products

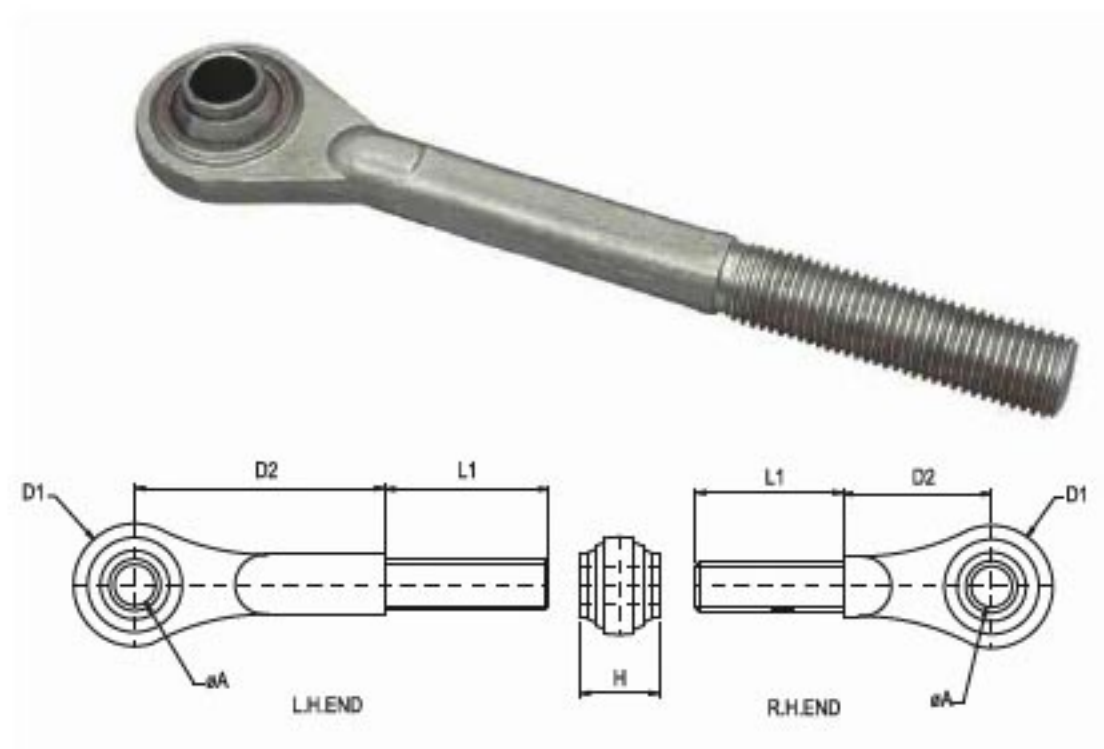
SF-TLE026	1	19	M27X3 L	150	58	50	44
SF-TLE027	2	25.4	M27X3 R	165	66	50	51
SF-TLE028	2	25.4	M27X3 L	165	66	50	51
SF-TLE029	2	25.4	M27X3 R	165	75	50	51
SF-TLE030	2	25.4	M27X3 L	165	75	50	51
SF-TLE031	1	19	M30X3 R	155	58	50	44
SF-TLE032	1	19	M30X3 L	155	58	50	44
SF-TLE033	1	19	M30X3.5 R	155	58	50	44
SF-TLE034	1	19	M30X3.5 L	155	58	50	44
SF-TLE035	2	25.4	M30X3 R	165	75	55	51
SF-TLE036	2	25.4	M30X3 L	165	75	55	51
SF-TLE037	2	25.4	M30X3.5 R	165	75	55	51
SF-TLE038	2	25.4	M30X3.5 L	165	75	55	51
SF-TLE039	2	25.4	M36X3 R	165	80	55	51
SF-TLE040	2	25.4	M36X3 L	165	80	55	51
SF-TLE041	2	25.4	M36X3 R	175	80	55	51
SF-TLE042	2	25.4	M36X3 L	175	80	55	51
SF-TLE043	2	25.4	M36X3 R	200	96	70	51
SF-TLE044	2	25.4	M36X3 L	200	96	70	51
SF-TLE045	3	32	M36X3 R	200	96	70	51
SF-TLE046	3	32	M36X3 L	200	96	70	51
SF-TLE047	2	25.4	M40X3 R	170	80	60	51
SF-TLE048	2	25.4	M40X3 L	170	80	60	51

## Top Link End



TOP LINK END (HEAVY DUTY)							
CODE	CAT	I.D. A	THREAD D	L1	D1	D2	H
SF-TLE049	2	25.4	M30X3.5 R	170	80	55	51
SF-TLE050	2	25.4	M30X3.5 L	170	80	55	51
SF-TLE051	3	32	M40X3 R	200	96	70	51
SF-TLE052	3	32	M40X3 L	200	96	70	51
SF-TLE053	2	25.4	M42X3 R	200	96	70	51
SF-TLE054	2	25.4	M42X3 L	200	96	70	51
SF-TLE055	3	32	M42X3 R	200	96	70	51
SF-TLE056	3	32	M42X3 L	200	96	70	51

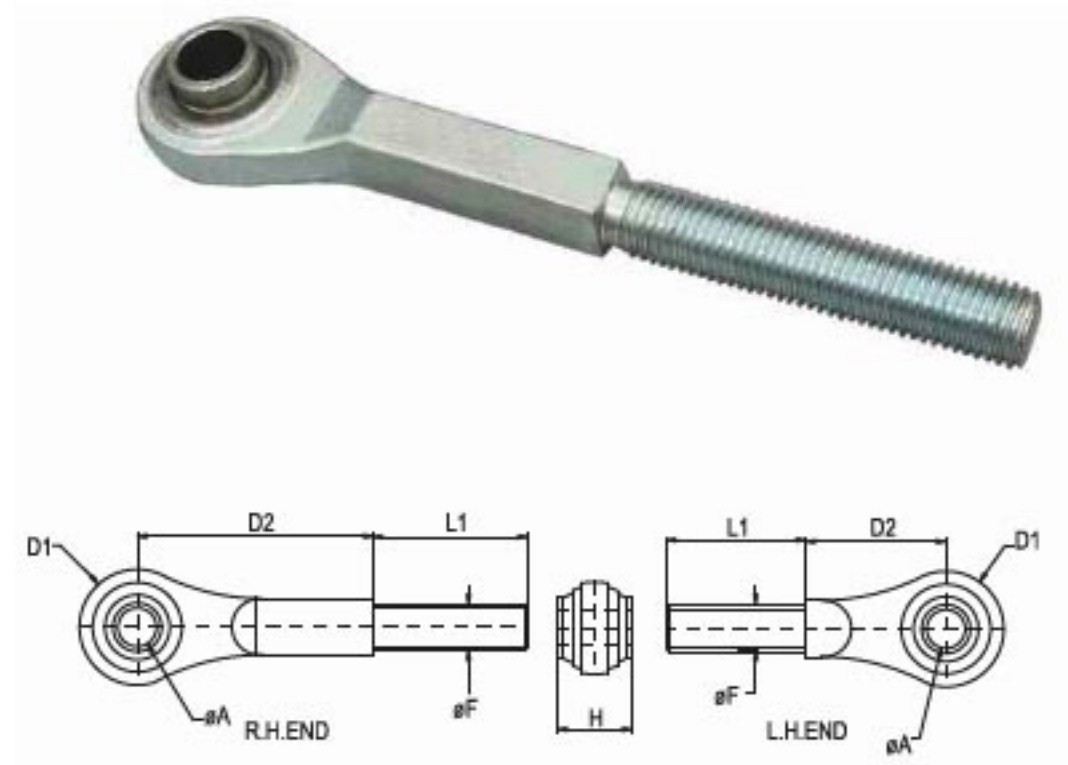
# Products



## TOP LINK END (REPLACES FORD)

CODE	CAT	I.D. A	THREAD D	L1	D1	D2	H
SF-TLE057	1	19	1.1/4"UNC L	128	58	208	44
SF-TLE058	2	25.4	1.1/4"UNC L	128	76	208	51
SF-TLE059	2	25.4	1.1/4"UNC R	168	76	86	51

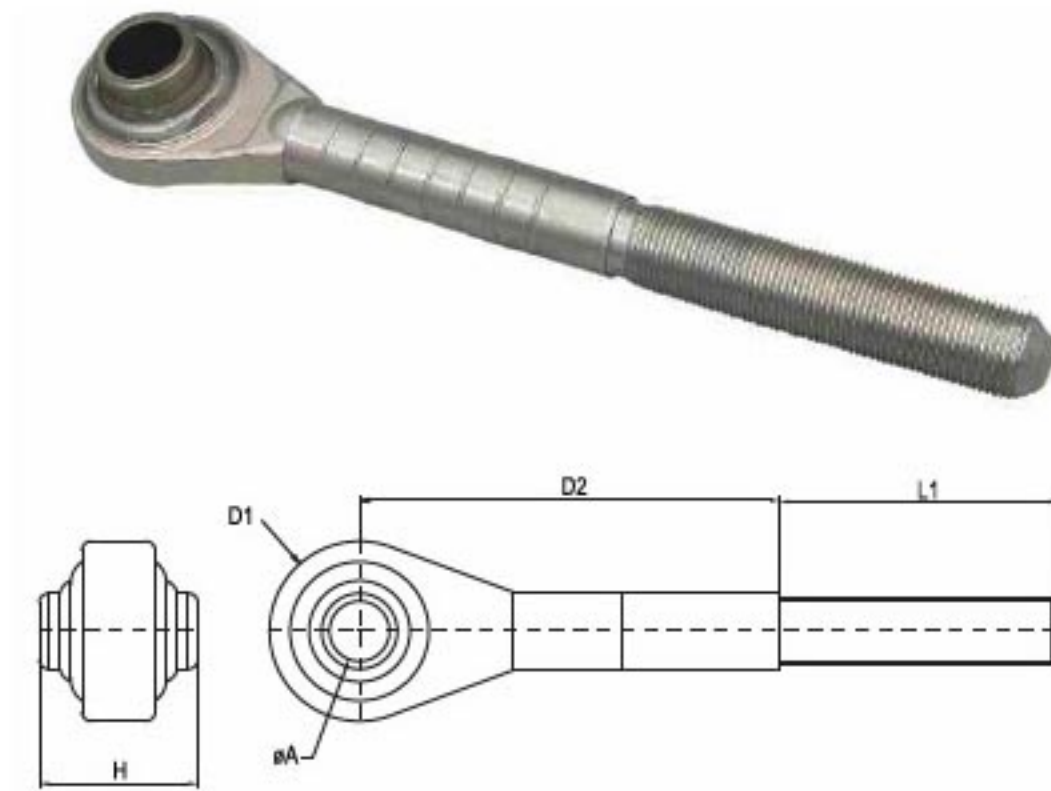
## Top Link End



TOP LINK END (REPLACES JD)

CODE	CAT	I.D. A	THREAD F	L1	D1	D2	H
SF-TLE060	2	25.4	1.1/8"UNC R	145	66	162	51
SF-TLE061	1	20	1.1/8"UNC L	160	66	56	44
SF-TLE062	2	25.4	M27X3 R	145	66	162	51
SF-TLE063	1	20	M27X3 L	160	66	56	44

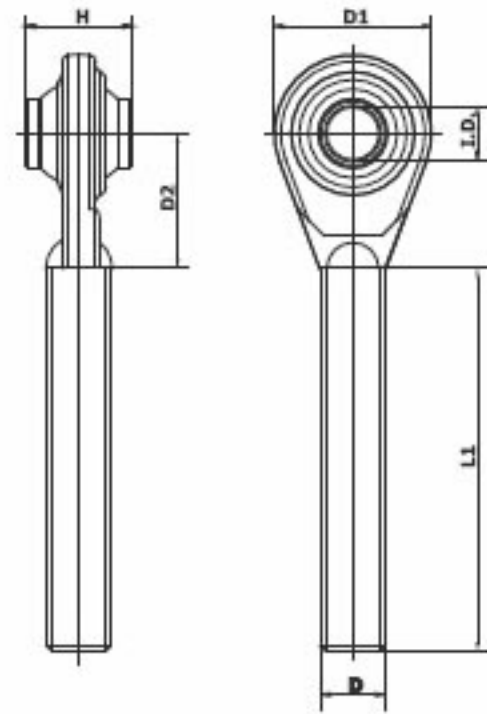
# Products



## TOP LINK END (REPLACES MF)

CODE	CAT	I.D. A	THREAD D	L1	D1	D2	H
SF-TLE064	1	19	1 1/16"UNF R	128	58	167	44
SF-TLE065	1	19	1 1/16"UNF L	128	58	167	44
SF-TLE066	2	25.4	1 1/16"UNF R	128	66	167	51
SF-TLE067	2	25.4	1 1/16"UNF L	128	66	167	51

# Products

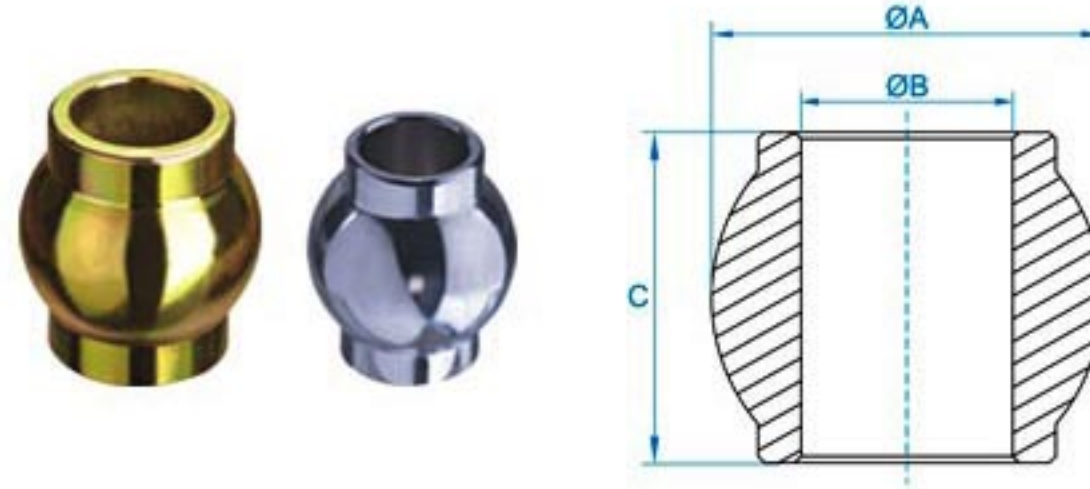


## TOP LINK END (REPLACES MTZ)

CODE	I.D. A	THREAD D	L1	D1	D2	H
SF-TLE068	22.1	M30(TPZ)RH	165	75	56	51
SF-TLE069	22.1	M30(TPZ)LH	165	75	56	51



## Top Link Balls



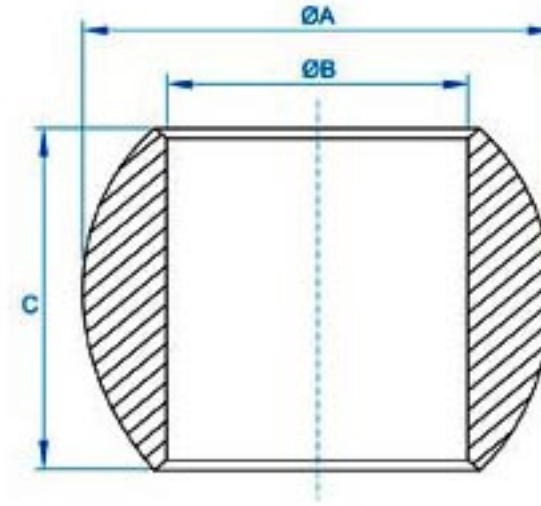
### BALL WITH COLLAR (HEAT TREATED 58-62 HRC-OPTIONAL) BORE TOLERANCE A12/A13

CODE	B	A	C
SF-TLB001	19	38	44
SF-TLB002	20	38	35
SF-TLB003	20	38	44
SF-TLB004	22.1	38	35
SF-TLB005	22.1	38	44
SF-TLB006	20	44	51
SF-TLB007	20	46	44
SF-TLB008	20	46	51
SF-TLB009	22.1	46	44.5
SF-TLB010	25.4	46	42
SF-TLB011	25.4	46	44
SF-TLB012	25.4	46	51
SF-TLB013	28.4	46	45
SF-TLB014	18	50	48
SF-TLB015	19	50	44

# Products

SF-TLB016	20.2	50	44
SF-TLB017	22.1	50	51
SF-TLB018	22.25	50	45
SF-TLB019	23	50	51
SF-TLB020	25.4	50	44
SF-TLB021	25.4	50	49
SF-TLB022	25.2	50	51
SF-TLB023	25.4	50	51
SF-TLB024	30	50	51
SF-TLB025	28.4	52	45
SF-TLB026	19	54	60
SF-TLB027	25.4	54	51
SF-TLB028	28.4	54	45
SF-TLB029	30	54	55
SF-TLB030	25.4	60	51
SF-TLB031	32	60	51
SF-TLB032	25.4	62	51
SF-TLB033	32	60	51
SF-TLB034	25.4	62	51
SF-TLB035	32	62	51
SF-TLB036	40	78	65
SF-TLB037	40	78	75
SF-TLB038	45	78	75
SF-TLB039	50	78	75

## Lower Link Balls



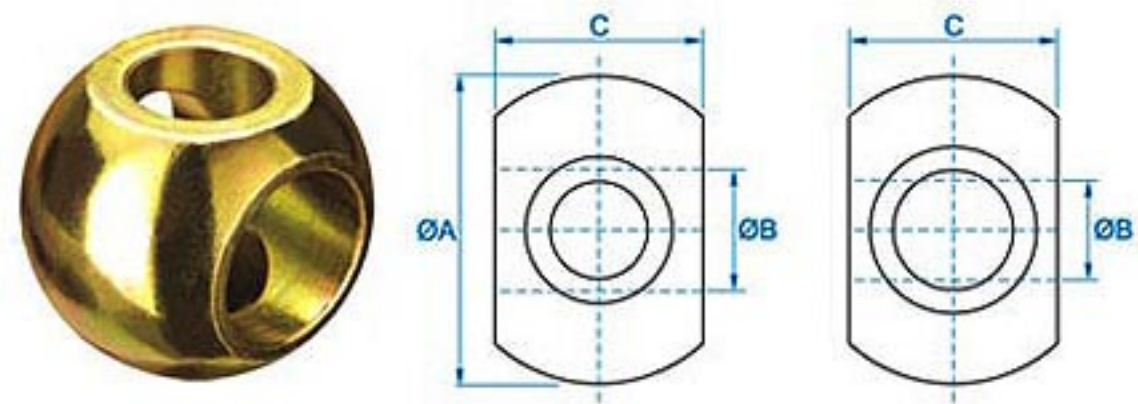
### BALL WITHOUT COLLAR (HEAT TREATED 58-62 HRC - OPTIONAL)

#### BORE TOLERANCE A12/A13

CODE	B	A	C
SF-LLB001	16	28	20
SF-LLB002	16	32	25.4
SF-LLB003	19	44	35
SF-LLB004	22.1	44	35
SF-LLB005	22.1	48	35
SF-LLB006	28.4	48	35
SF-LLB007	25.4	50	38
SF-LLB008	25.4	50	40
SF-LLB009	28.4	50	38
SF-LLB010	35	54	35
SF-LLB011	22.1	56	35
SF-LLB012	22.1	56	45
SF-LLB013	25.4	56	35
SF-LLB014	25.4	56	45
SF-LLB015	28.4	56	35

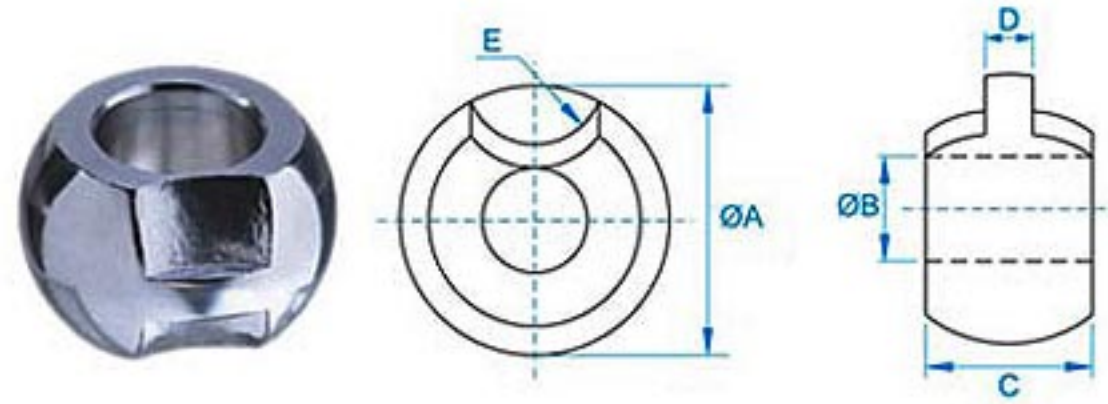
# Products

SF-LLB016	28.4	62	45
SF-LLB017	28.4	63.5	45
SF-LLB018	28.4	64	45
SF-LLB019	28.4	64	54
SF-LLB020	37.1	64	45
SF-LLB021	38	64	45
SF-LLB022	37	85	57
SF-LLB023	51	85	57

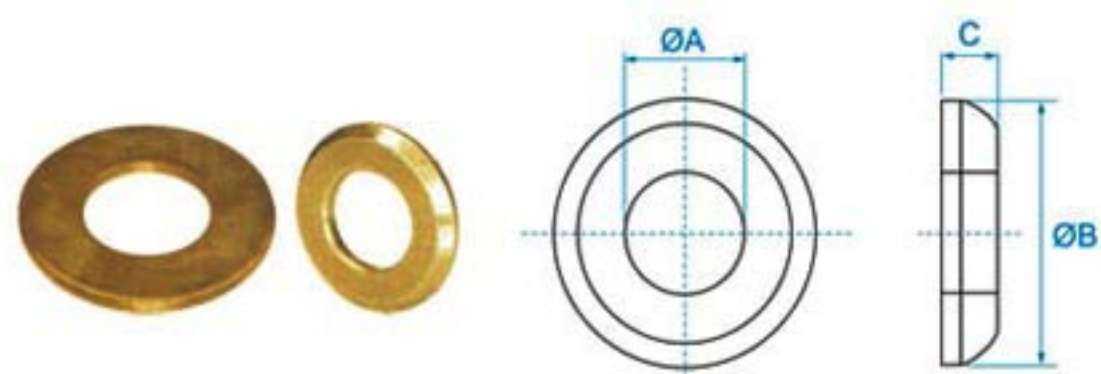


Ball (Double Bore)			
Braccio 3 Punto Completo			
CODE	A	B	C
SF001(22.1/28.7)45	56	22.1/28.7	44.5

# Products

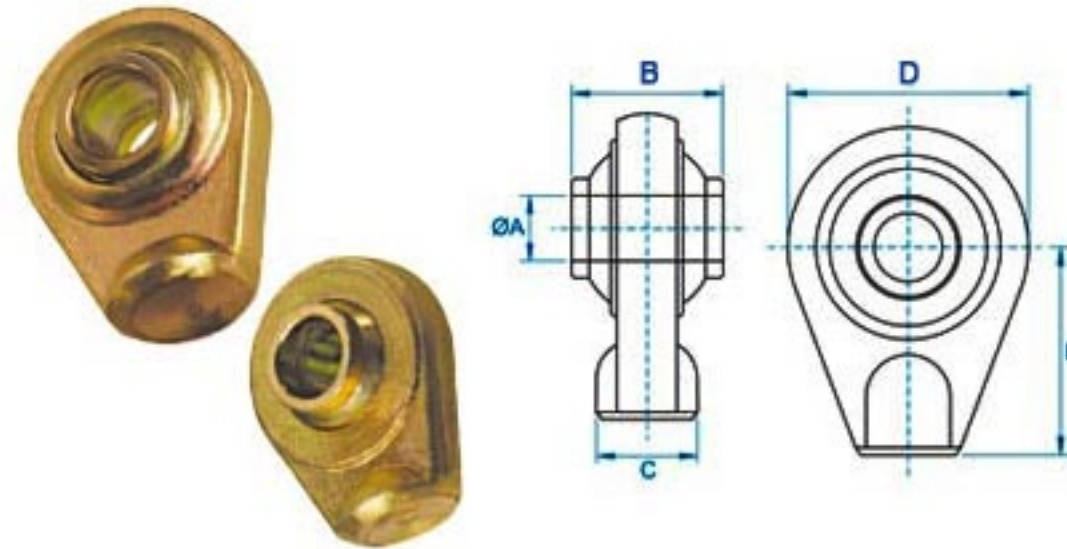


Ball (With Cut)					
CODE	A	B	C	D	E
SF562235	56.5	22	35	10	R35
SF562845	56.5	28.6	44.5	10	R35



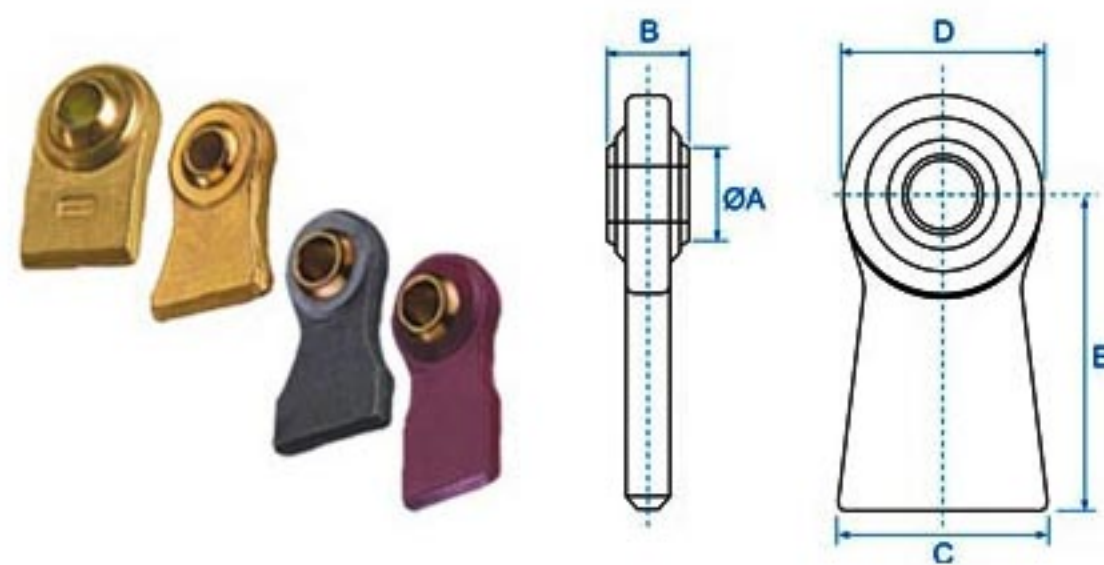
SPACERS			
CODE	A	B	C
SF56287	28	56	7
SF64287	28	64	7
SF64387	38	64	7

## Weld On End (Suppoti Con Ritula Sferica)



WELD ON END					
CODE	A	B	C	D	E
SF-WOET001	19.2	44	25	53	48
SF-WOET002	20.2	44	25	53	48
SF-WOET003	19.2	44	25	53	48
SF-WOET004	19.2	44	26	55	65
SF-WOET005	19.2	44	30	62	34
SF-WOET006	20.2	44	30	62	34
SF-WOET007	22.1	44	30	62	34
SF-WOET008	19.2	44	34	62	60
SF-WOET009	22.1	44	34	62	60
SF-WOET010	20.2	44	34	62	60
SF-WOET011	19.2	44	30	62	50
SF-WOET012	20.2	44	30	62	50
SF-WOET013	22.1	44	34	62	58
SF-WOET014	19.2	44	34	62	58
SF-WOET015	19.2	35	26	62	55
SF-WOET016	22.1	35	26	62	55
SF-WOET017	19.2	51	38	75	65
SF-WOET018	25.2	51	38	75	65
SF-WOET019	30.2	51	38	75	65

# Products



## Weld On End

### Supporti Con Ritula Sferica

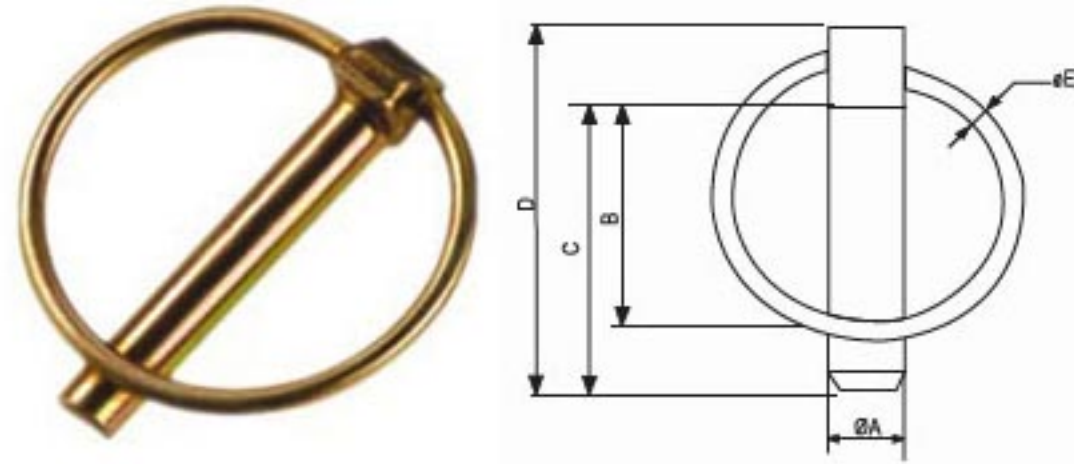
CODE	A	B	C	D	E
SF-WOET024	16.2	20	30	46	60
SF-WOET025	19.2	44	50	52	50
SF-WOET026	20.2	44	50	52	50
SF-WOET027	19.2	35	50	65	43
SF-WOET028	22.1	35	50	65	43
SF-WOET029	22.1	35	70	76	50
SF-WOET030	25.4	35	70	76	50
SF-WOET031	28.2	35	70	76	50
SF-WOET032	22.1	35	70	83	55
SF-WOET033	25.4	35	70	83	55
SF-WOET034	28.2	35	70	83	55
SF-WOET035	28.2	45	70	83	55
SF-WOET036	25.4	35	70	80	80
SF-WOET037	28.2	35	70	80	80
SF-WOET038	28.2	45	70	80	80
SF-WOET039	22.1	45	70	80	65
SF-WOET040	25.4	45	70	80	65

# Products

SF-WOET041	28.4	45	70	80	65
SF-WOET042	30.2	45	70	80	65
SF-WOET043	28.2	45	70	96	65
SF-WOET044	34.4	45	70	96	65
SF-WOET045	35.2	45	70	96	65
SF-WOET046	37.4	45	70	96	65
SF-WOET047	19.2	35	56	67	50
SF-WOET048	22.1	35	56	67	50
SF-WOET049	25.4	35	56	67	50
SF-WOET050	22.1	35	58	67	75
SF-WOET051	25.1	45	70	80	80
SF-WOET052	28.2	45	90	106	90
SF-WOET053	30.2	45	90	106	90
SF-WOET054	34.4	45	90	106	90
SF-WOET055	35.2	45	90	106	90
SF-WOET056	37.4	45	90	106	90
SF-WOET057	38.4	45	90	106	90
SF-WOET058	28.4	45	70	80	110

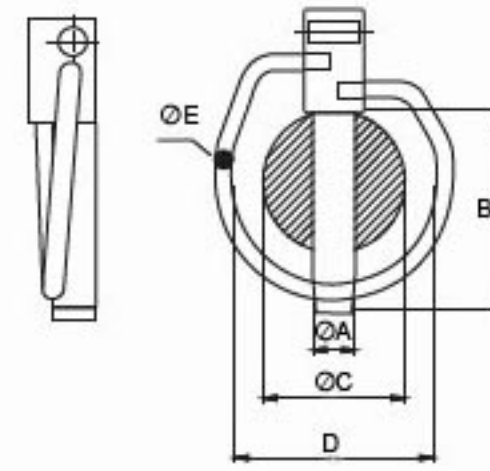


## Linch Pins

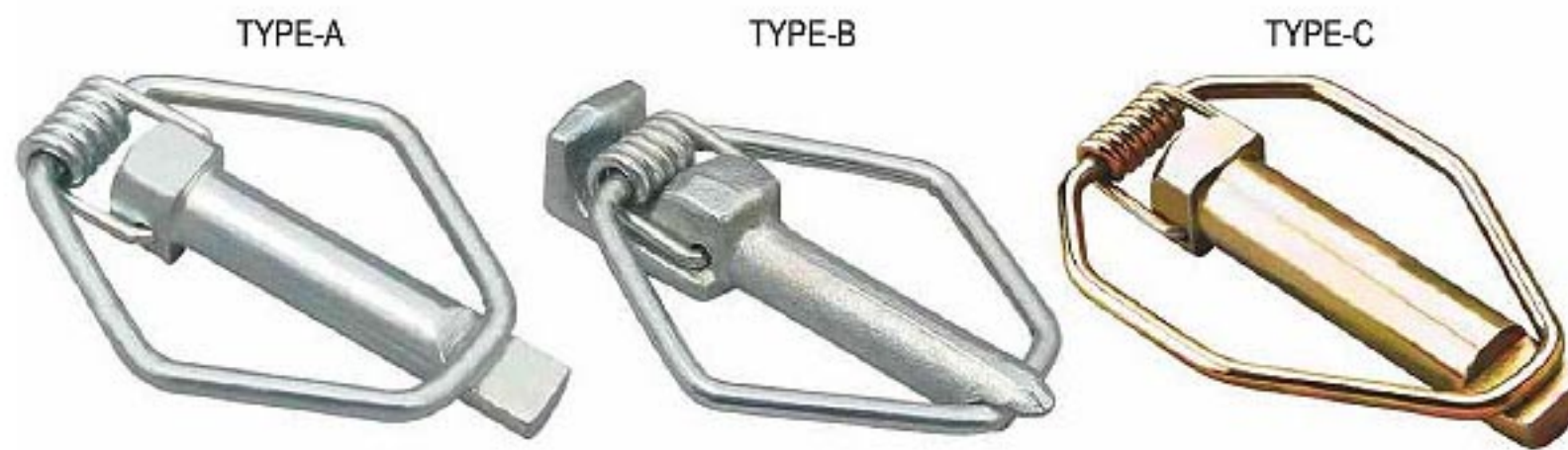


LINCH PIN					
CODE	A	B	C	D	E
SF-LP001	4.5	28.6	35	44	3
SF-LP002	4.5	33	40	48	3
SF-LP003	6	36.5	45	54	3.2
SF-LP004	6	60	70	80	3.5
SF-LP005	7	36.5	45	55	3.3
SF-LP006	8	36.5	45	54	3.3
SF-LP007	8	60	70	80	3.5
SF-LP008	9	36.5	45	56	3.3
SF-LP009	10	36.5	45	56	3.5
SF-LP010	10	42	51	62	3.5
SF-LP011	10	36.5	45	56	3.5
SF-LP012	11	39	51	61	3.5
SF-LP013	12	36.5	45	56	3.5

# Products

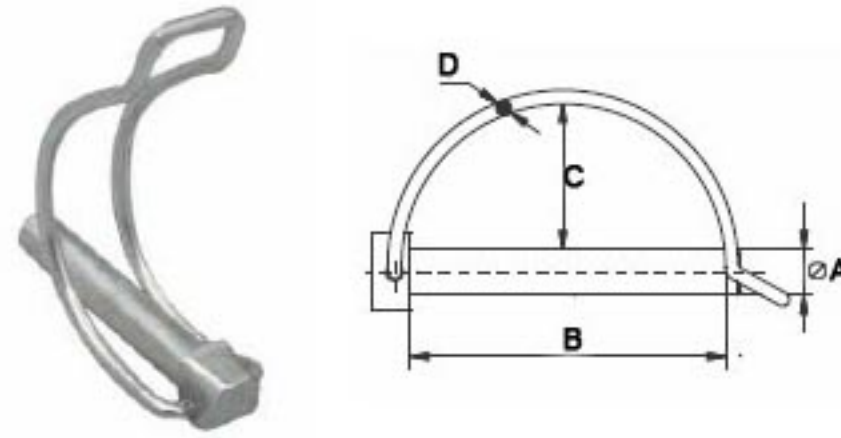


LINCH PIN DIN 11023					
CODE	A	B	C	D	E
SF-LPDIN4532	4.5	32	25	31.00	2.50
SF-LPDIN 5542	5.5	42	32	44.80	3.60
SF-LPDIN7542	7.5	42	32	44.80	3.60
SF-LPDIN9545	9.5	45	32	44.80	3.60
SF-LPDIN1145	11	45	32	44.80	3.60
SF-LPDIN1155	11	55	45	52.00	4.00
SF-LPDIN1660	16	60	45	52.00	4.00



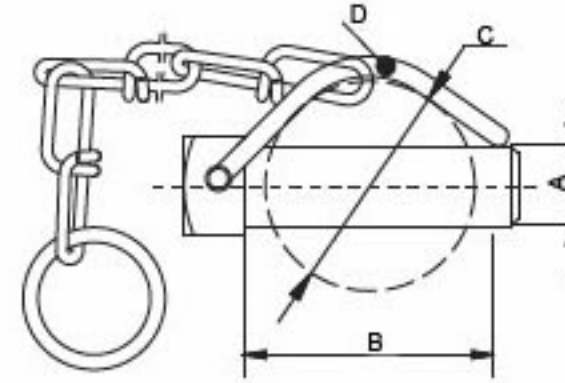
SPRING LINCH PIN		
CODE	DIA	TYPE
SF-SLP 85	8.5	A
SF-SLP 105	10.5	A
SF-SLP 11	11	B
SF-SLP 155	15.5	C

# Products



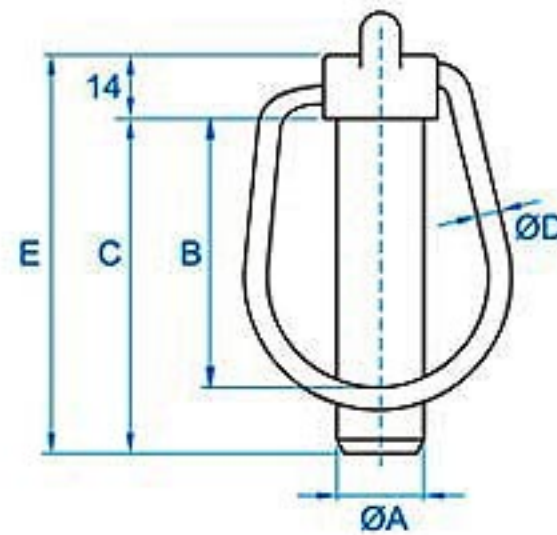
PIPE LINC PIN				
CODE	A	B	C	D
SF-PLP04540	4.5	40	18	3
SF-PLP0632	6	32	18	3
SF-PLP0640	8	40	18	3
SF-PLP0645	8	45	22	3
SF-PLP0840	8	40	18	3
SF-PLP0845	8	45	22	3
SF-PLP0850	8	50	25	3
SF-PLP0860	8	60	28	3
SF-PLP1040	10	40	25	3
SF-PLP1050	10	50	25	3
SF-PLP1060	10	60	28	3
SF-PLP1070	10	70	28	3

## Linch Pins



**SQUARE HEAD LINCH PIN WITH CHAIN FOR PIPE**

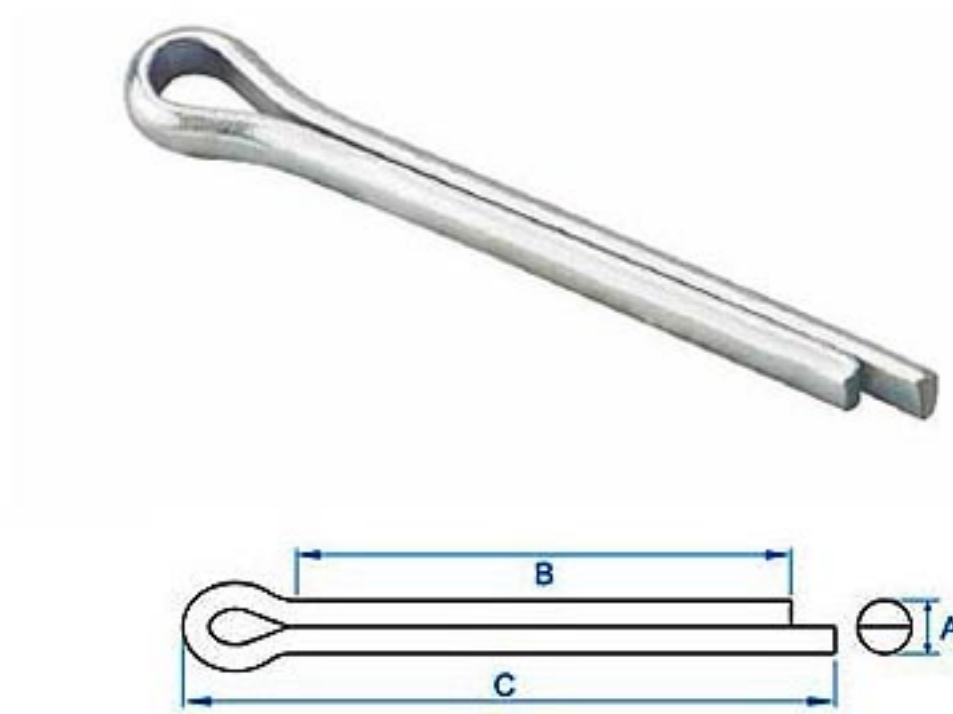
CODE	A	B	C	D
SF-PLP1248	12	48	44	4
SF-PLP1448	14	48	44	4
SF-PLP1650	16	50	44	4
SF-PLP1960	19	60	48	4



**Forged Linch Pins**

CODE	A	B	C	D	E
SF-PLP1148	11	48	52	4	66
SF-PLP1556	15	56	60	4	74

# Products

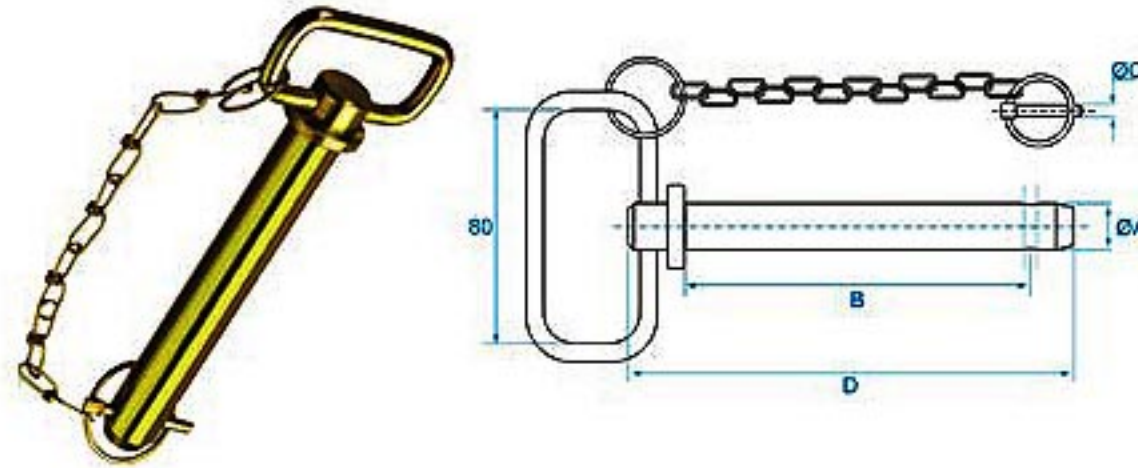


PPLit Pins			
CODE	A	B	C
SF1620	1.6	20	28
SF1625	1.6	25	33
SF2020	2	20	28
SF2025	2	25	33
SF2028	2	28	35
SF2032	2	32	40
SF2040	2	40	50
SF2520	2.5	20	28
SF2540	2.5	40	50
SF3225	3.2	25	35
SF3240	3.2	40	50
SF4025	4	25	35
SF4032	4	32	45
SF4036	4	36	48
SF5050	5	50	63
SF5070	5	70	85

# Products

SF6350	6.3	50	64
SF6370	6.3	70	85
SF6380	6.3	80	98
SF8063	8	63	87
SF8080	8	80	104
SF80100	8	100	124
SF80125	8	125	150
SF1063	10	63	91
SF10125	10	125	153
SF13125	15	125	160
SF13140	13	140	175

## Hitch Pins



### Hitch Pin With Chain & Linch Pin Spinotto D' Attacco

We offer hitch pins for snow plows, farm and lawn tractors and for other industrial applications. These pins are designed to reduce the noise and ensure smooth operation in the process of towing. Our hitch pins come with clip pin, lynch pin or retailer chain based upon the requirement of the clients. We also specialize in manufacturing hitch pins with swivel handles for specific applications.

CODE	A	B	C	D
SF-HPWLP12093	12.7	92.5	6.5	127
SF-HPWLP12111	12.7	111	6.5	146
SF-HPWLP16103	15.9	103	6.5	136
SF-HPWLP16111	15.9	111	6.5	146
SF-HPWLP16165	15.9	165	6.5	200
SF-HPWLP19102	19	102	6.5	140
SF-HPWLP19110	19	110	6.5	147
SF-HPWLP19111	19	111	8.5	148
SF-HPWLP19115	19	115	12	153
SF-HPWLP19164	19	165	8.5	200
SF-HPWLP19165	19	165	6.5	204
SF-HPWLP19166	19	165	8.5	204

# Products

## Auto Parts

---



HUB BOLTS & T - BOLTS  
SF-AP101



U BOLTS  
SF-AP102



CENTRE BOLTS  
SF-AP103



SPRING PINS & BUSHES  
SF-AP104



WHEEL BRACKETS  
SF-AP105



SLIP STUB SHAFT  
SF-AP106



# Products



CLUTCH FORK  
SF-AP107



COMPANION FLANGES  
SF-AP108



END YOKES  
SF-AP109



FLANGE YOKES  
SF-AP101



FLYWHEEL RINGS  
SF-AP111



GEAR RETAINERS  
SF-AP112



MID SHIP SHAFT  
SKF-113



PITMAN ARMS  
SF-AP114



SLIP YOKE ASSEMBLY  
SF-AP115

# Products



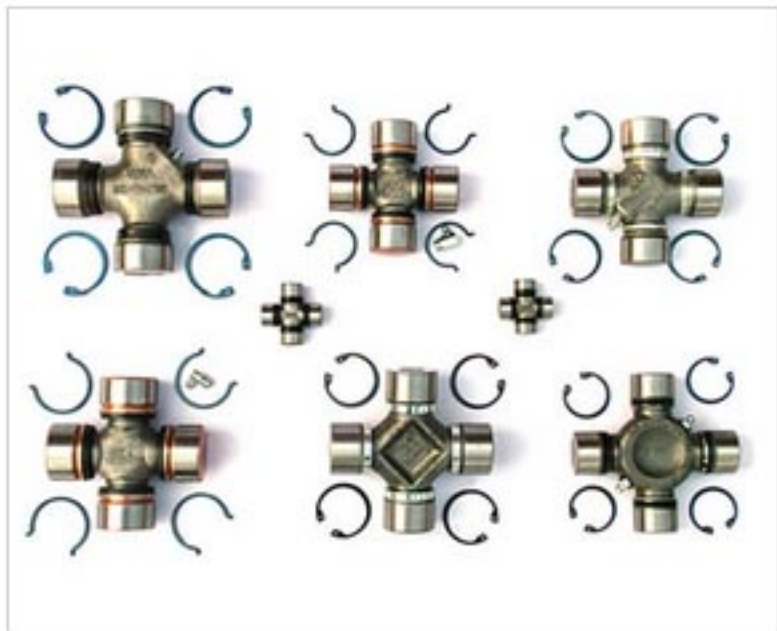
STEERING ASSEMBLY  
SF-AP116



TIE ROD ENDS  
SF-AP117



TUBE YOKS  
SF-AP118



UJ CROSS KIT  
SF-AP119



WHEEL SPANNERS  
SF-AP120



SECTOR SHAFT  
SF-AP121

# Products

## Hammer Union

---



Hammer Union



Hammer Union



Hammer Union



Hammer Union



Hammer Union



Hammer Union

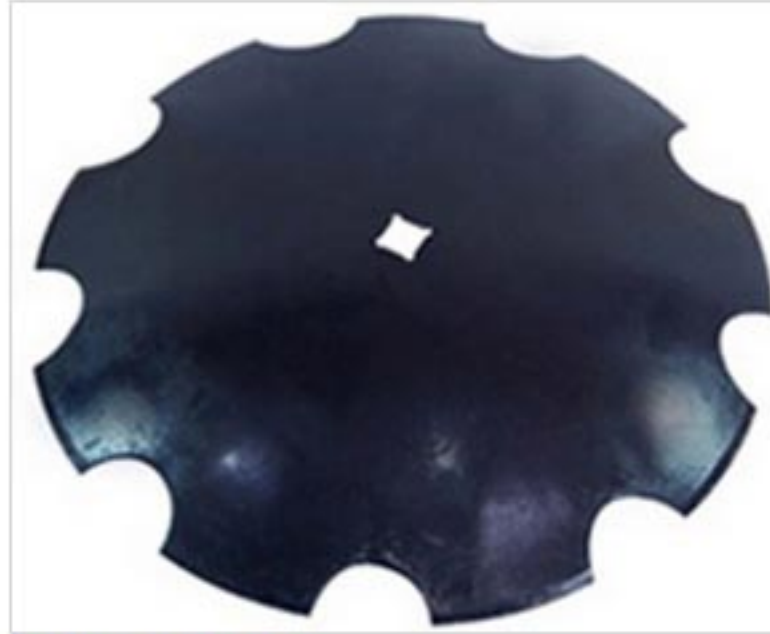
# Products

## Agriculture Implements

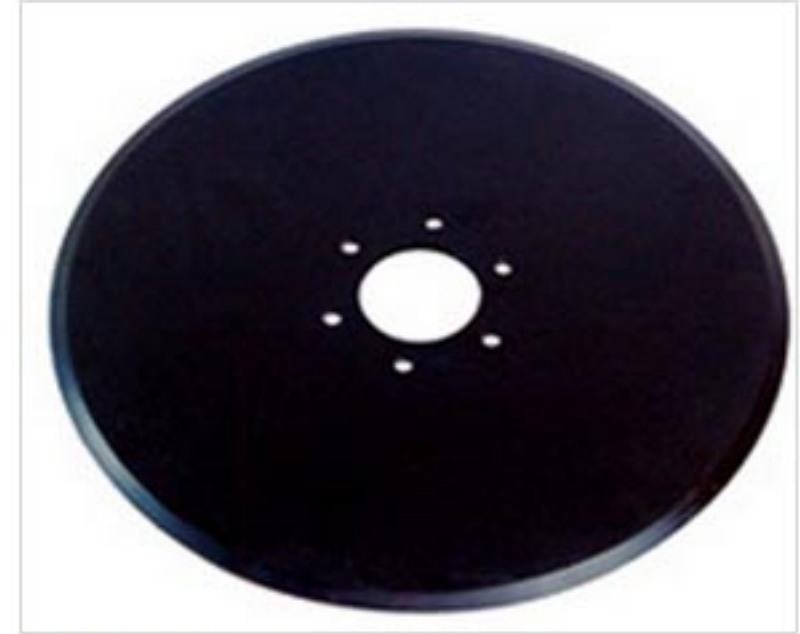
---



PLAN DISC  
SF-AI001



NOTCHED DISC  
SF-AI002



FLAT DISC  
SF-AI003



CULTIVATOR TINE FORGED TYPE  
SF-AI004



HARROW DISC BEARING SPOOL  
SF-AI005



HARROW DISC SPACER SPOOL  
SF-AI006

# Products



HARROW SPACER  
SF-AI007



HEAVY DUTY TINE  
SF-AI008



SUBSOILER SHOVEL  
SF-AI009



SCARIFIER TINE WITH TIP  
SF-AI010



C TINE WITH TIP  
SF-AI011



S-TINE  
SF-AI012

# Products



TILLER TINE COMPLETE SET  
SF-AI013



NUT WITH COLLOR  
SF-AI014



NUT WITHOUT COLLOR  
SF-AI015



SHOVEL  
SF-AI016



WASHER-OUTER  
SF-AI017

# Products

## Flanges



Slip On  
SF-5001



Weld Neck  
SF-5002



Blind  
SF-5003



Lap Joint  
SF-5004



Socket Weld  
SF-5005



Threaded  
SF-5005

	CLASS/PN						
Flange Class	150	300	400	600	900	1500	2500
Flange Pressure Normal,PN	20	50	68	100	150	250	420

### 1.STANDARD

ASME/ANSI B 16.5-2009/DIN/BS/JS/AS2129/AS4087

### 2.MATERIAL GRADES

1"to16"

### 3.FINISH

Black Painted,Not Painted(Self Color),Galvanized

### 4.TESTS

Destructive & Non Destructive tests available on request at actual cost

### 5.SPECIAL FEATURES

100% Machined surface as per B16.5

100% traceability and material test reports

# Products

## Fasteners

---



Knurled Bolts  
SF-701



Flange Nuts  
SF-702



Flange Bolts  
SF-703



Washers  
SF-704



Hex Nuts  
SF-705



Hex Nuts  
SF-706



Hex Bolts & Screws  
SF-707



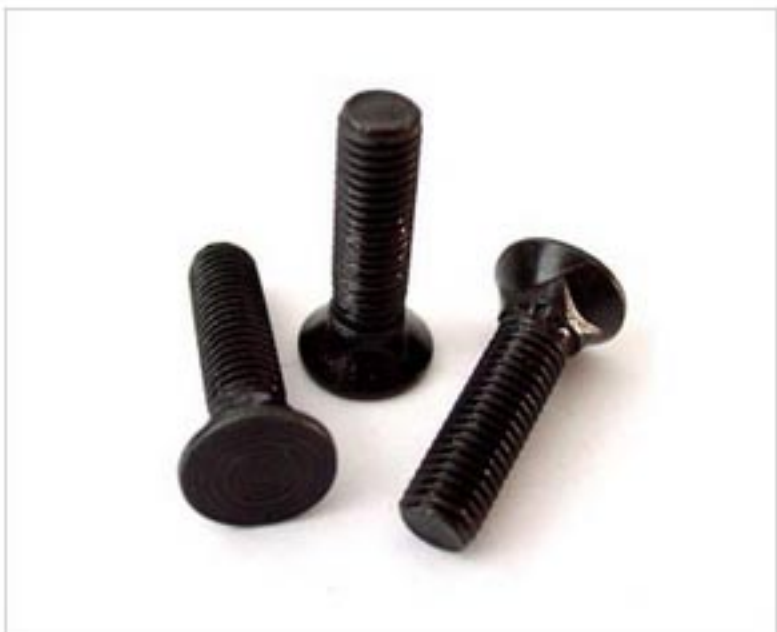
Square Square Holding Down Bolts  
SF-708



Pre-loaded Structural Bolt  
SF-709



# Products



CSK Head Carriage Bolts  
SF-710



Flat CSK Square Neck Bolts  
SF-711



Flat CSK NIB Bolts  
SF-712



B7 Studs  
SF-713

# Products

## Scaffolding



DOUBLE COUPLER  
SF-801



SWIVEL COUPLER  
SF-802



DOUBLE COUPLER (heavy Duty)  
SF-803



SWIVEL COUPLER (Heavy Duty)  
SF-804



DOUBLE COUPLER (US Type)  
SF-805



SWIVEL COUPLER (US Type)  
SF-806



DOUBLE COUPLER (German Type)  
SF-807



SWIVEL COUPLER (German Type)  
SF-808



COMBINATION DOUBLE COUPLER  
SF-809

# Products



COMBINATION SWIVEL COUPLER  
SF-810



SLEEVE COUPLER  
SF-811



FORGED CAP  
SF-812



BODY (DOUBLE COUPLER)  
SF-813



BODY (SWIVEL COUPLER)  
SF-814



TEE BOLT  
SF-815

# Products



EYE BOLT  
SF-816



STANDARD / VERTICAL  
SF-817



LEDGER  
SF-818



BOARD BRACKET  
SF-819



TOE BOARD BRACKET  
SF-820



END TOE BOARD BRACKET  
SF-821